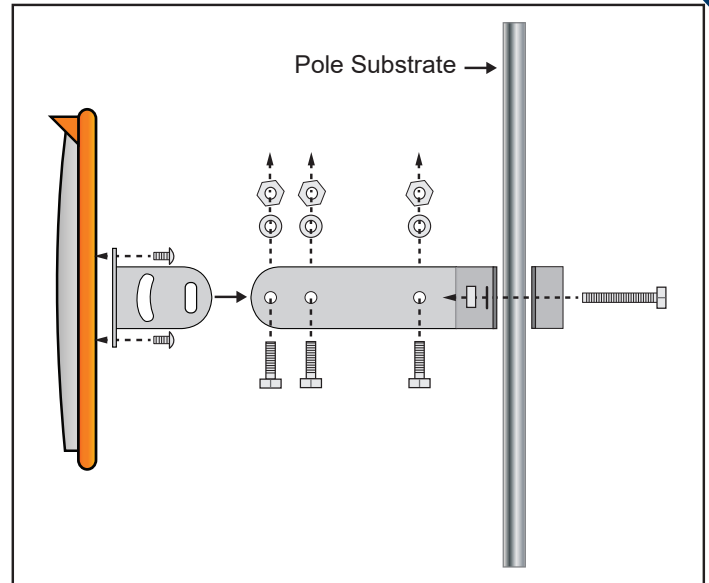
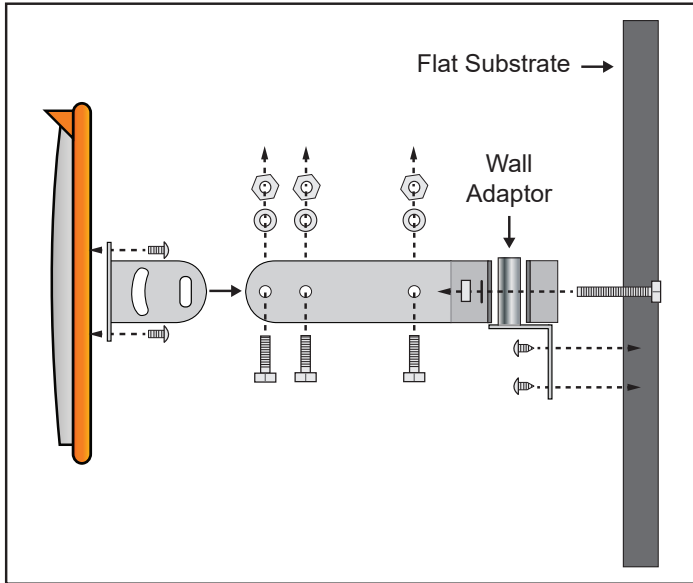


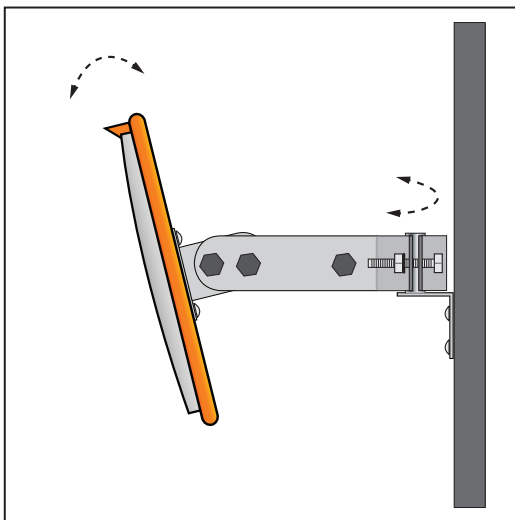
STAINLESS STEEL REAR VISION MIRROR

INSTALLATION INSTRUCTIONS:



- To attach mirror to flat cab support, attach pole clamp bracket to wall adaptor.
- Or mount pole clamp bracket directly to 32mm pipe support.



ANGLE AND POSITION:



SOCIAL MEDIA

-  Duravision
-  Benmirr1
-  duravision_convex_mirrors
-  bennett-mirror-technologies



CONTACT US

PO Box 2163, Tauranga
New Zealand
T: +64 7 9285380
E: mirrors@bmt.nz
www.duravision.net



5 YEAR WARRANTY

Manufactured using the highest quality materials to provide a higher level of safety and longer lasting products