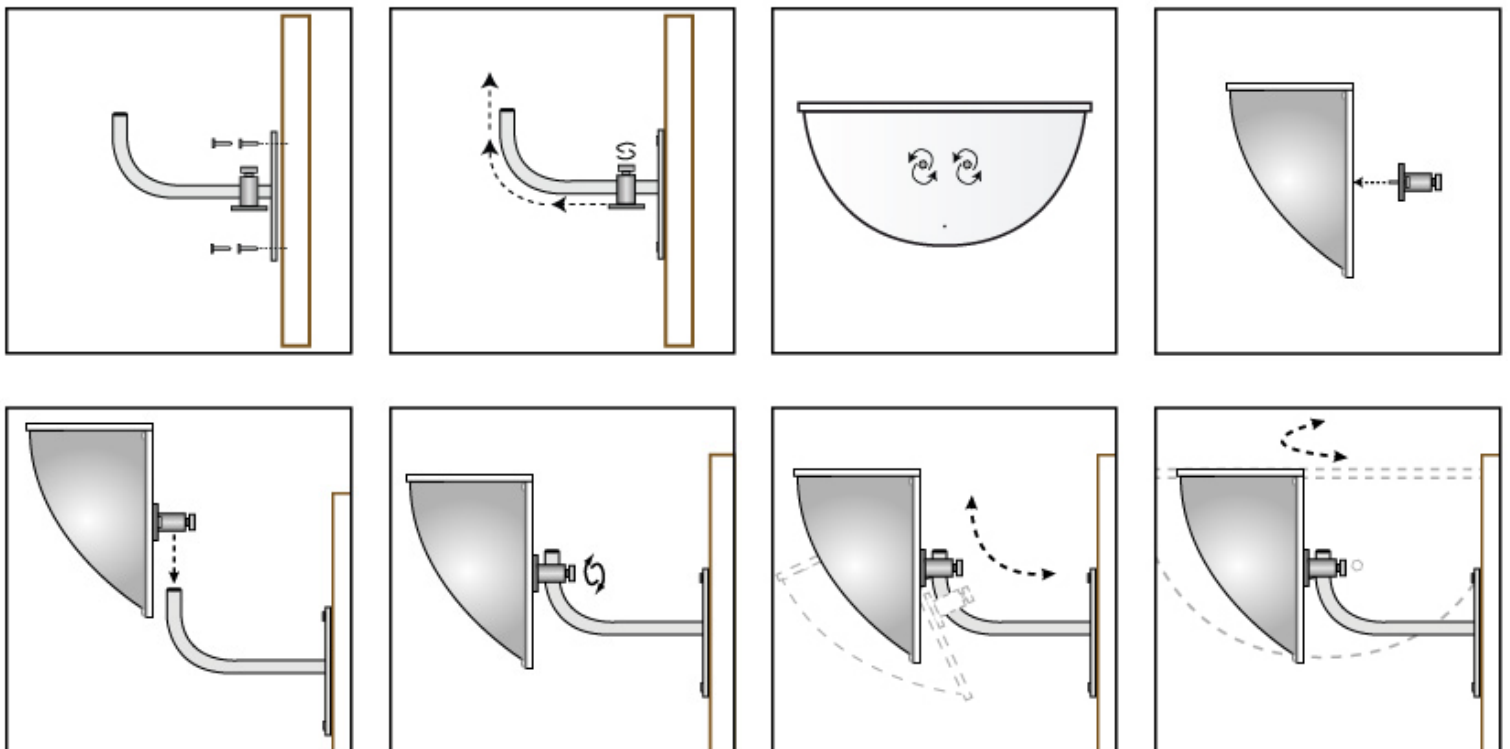


## OUTDOOR HALF DOME J-BRACKET





### INSTALLATION INSTRUCTIONS:

- Decide the appropriate place to site the mirror to give maximum vision.
- Fix J-Bracket to a wall, ceiling or pillar using suitable fixing hardware (ie: screws, bolts), allowing enough room to get the mirror on to the J-Bracket.
- Remove Adaptor from the J-Bracket and undo the bolts from the back of the mirror.
- Use the bolts to secure the adaptor to the back of the mirror.
- Peel protective film off around the immediate edge of the mirror (acrylic mirror only).
- Slide the adaptor and mirror over the J-Bracket and adjust mirror to the desired position.
- Make sure the ventilation hole is at the bottom to allow moisture to drain (acrylic mirror only).
- Tighten the locking bolt on the adaptor securely.
- Totally remove the protective film from the mirror face (acrylic mirror only).

### INSTALLATION:



#### SOCIAL MEDIA

-  Duravision
-  Benmirr1
-  duravision\_convex\_mirrors
-  bennett-mirror-technologies



#### CONTACT US

PO Box 2163, Tauranga  
New Zealand  
T: +64 7 9285380  
E: mirrors@bmt.nz  
www.duravision.net



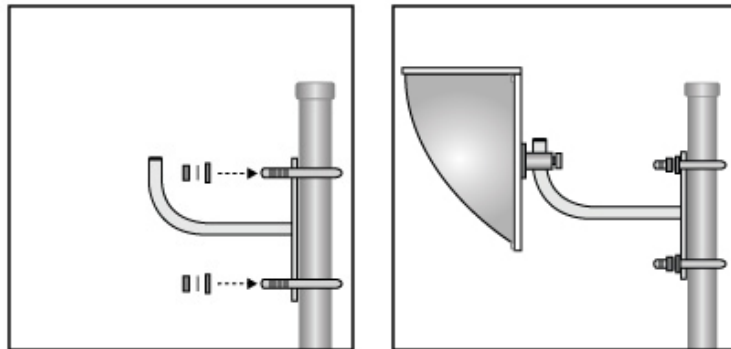
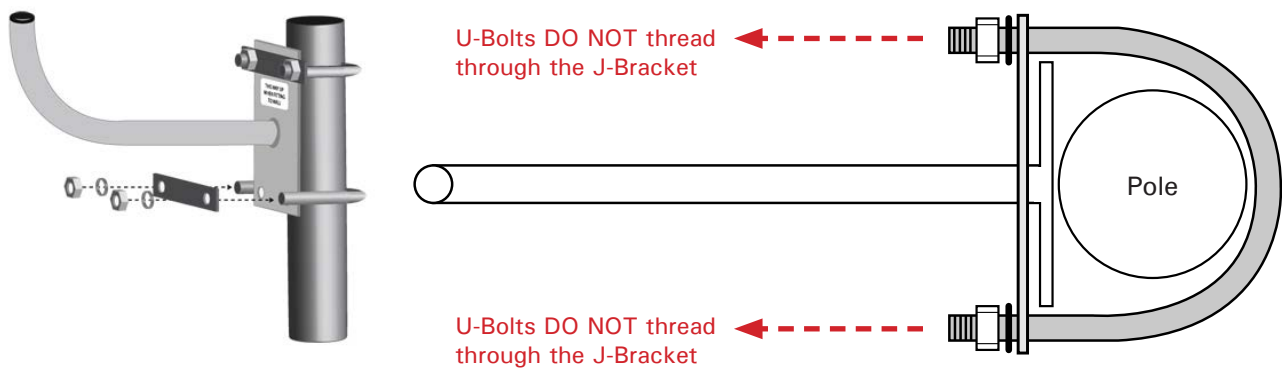
#### 5 YEAR WARRANTY

Manufactured using the highest quality materials to provide a higher level of safety and longer lasting products





## OUTDOOR HALF DOME - WITH U-BOLTS

60mm AND 75mm U-BOLT ASSEMBLY:

- Position U-Bolts around the pole and AROUND the J-Bracket.
- Thread U-Bolts through both sides of Flat plate.
- Thread the washers and nuts onto the U-Bolts loosely.
- Position the J-Bracket, then tighten the nuts.



### SOCIAL MEDIA

-  Duravision
-  Benmirr1
-  duravision\_convex\_mirrors
-  bennett-mirror-technologies



### CONTACT US

PO Box 2163, Tauranga  
New Zealand  
T: +64 7 9285380  
E: mirrors@bmt.nz  
www.duravision.net



### 5 YEAR WARRANTY

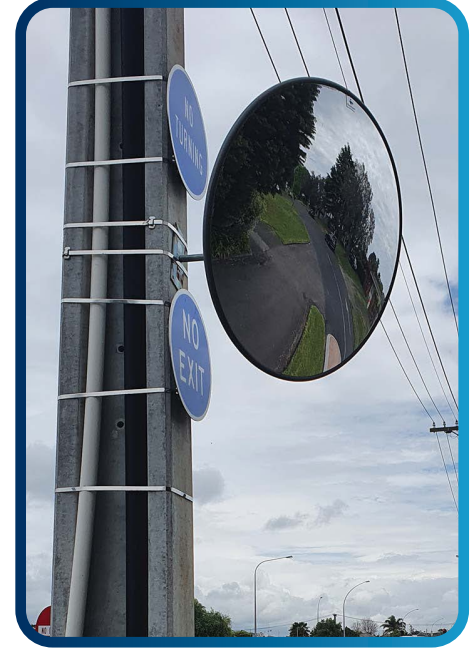
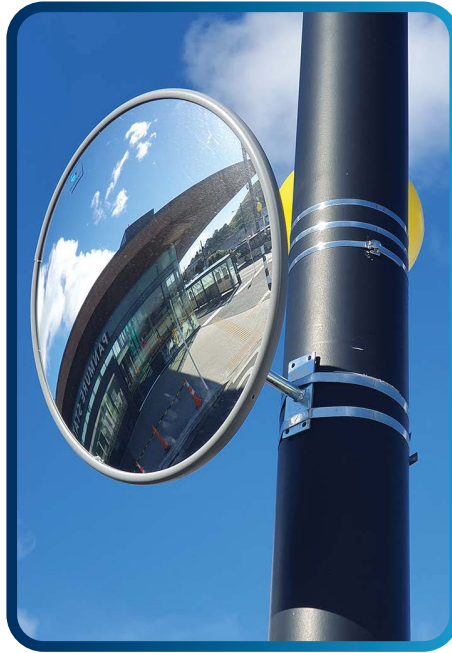
Manufactured using the highest quality materials to provide a higher level of safety and longer lasting products

## OUTDOOR MIRROR - WITH STRAPPING

### STEEL STRAPPING FOR EXTRA LARGE POLE:

DuraVision™ Heavy Duty Mirrors can be fixed to an extra large pole such as lamp posts, power poles and street lights using steel strapping. Place 2 - 3 straps around the pole and across the J-Bracket's mounting plate and tighten.

Purchase steel strapping from hardware stores or road sign companies.



#### SOCIAL MEDIA

- Duravision
- Benmirr1
- duravision\_convex\_mirrors
- bennett-mirror-technologies



#### CONTACT US

PO Box 2163, Tauranga  
New Zealand  
T: +64 7 9285380  
E: mirrors@bmt.nz  
www.duravision.net



#### 5 YEAR WARRANTY

Manufactured using the highest quality materials to provide a higher level of safety and longer lasting products