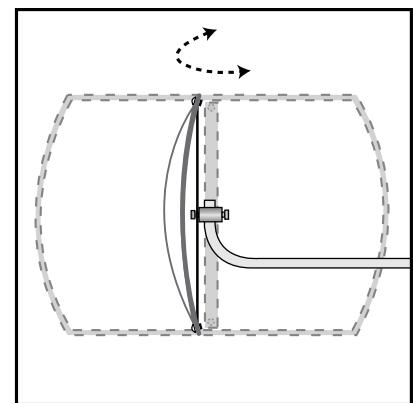
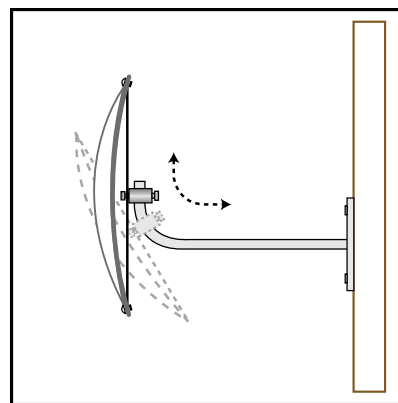
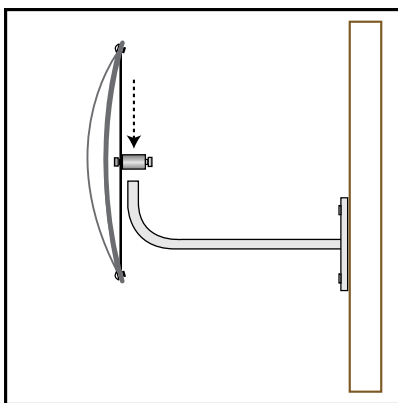
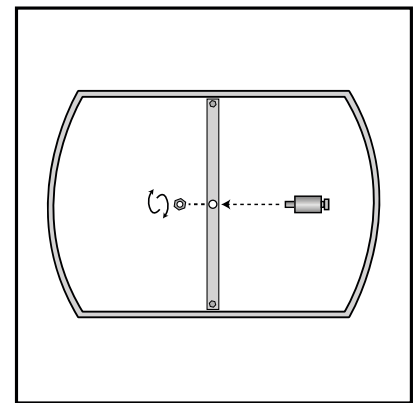
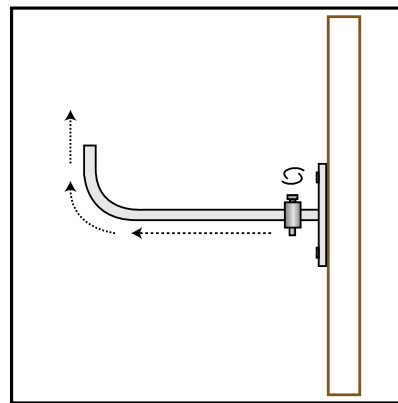
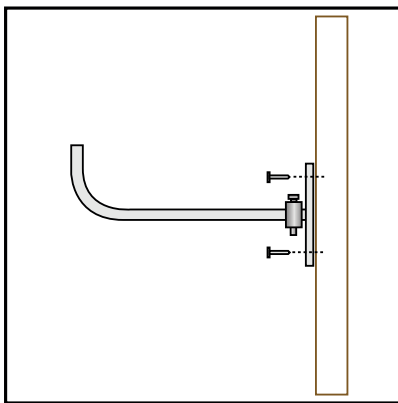






## ADJUSTABLE J-BRACKET - SPACE SAVER

### INSTALLATION INSTRUCTIONS:

- Decide the appropriate place to site the mirror to give maximum vision.
- Fix J-Bracket to wall or ceiling using suitable fixing hardware (ie: screws, bolts). Allowing enough room to get the mirror on to the J-Bracket.
- Thread adaptor through the Aluminium Bar into the Hex Nut and tighten.
- Peel protective film off around the immediate edge of the mirror.
- Slide the adaptor and mirror over the J-Bracket and adjust mirror to the desired position.
- Tighten the locking bolt on the adaptor securely.
- Totally remove protective film from the mirror face.



#### SOCIAL MEDIA

-  Duravision
-  Benmirr1
-  duravision\_convex\_mirrors
-  bennett-mirror-technologies



#### CONTACT US

PO Box 2163, Tauranga  
New Zealand  
T: +64 7 9285380  
E: mirrors@bmt.nz  
www.duravision.net



#### 5 YEAR WARRANTY

Manufactured using the highest quality materials to provide a higher level of safety and longer lasting products