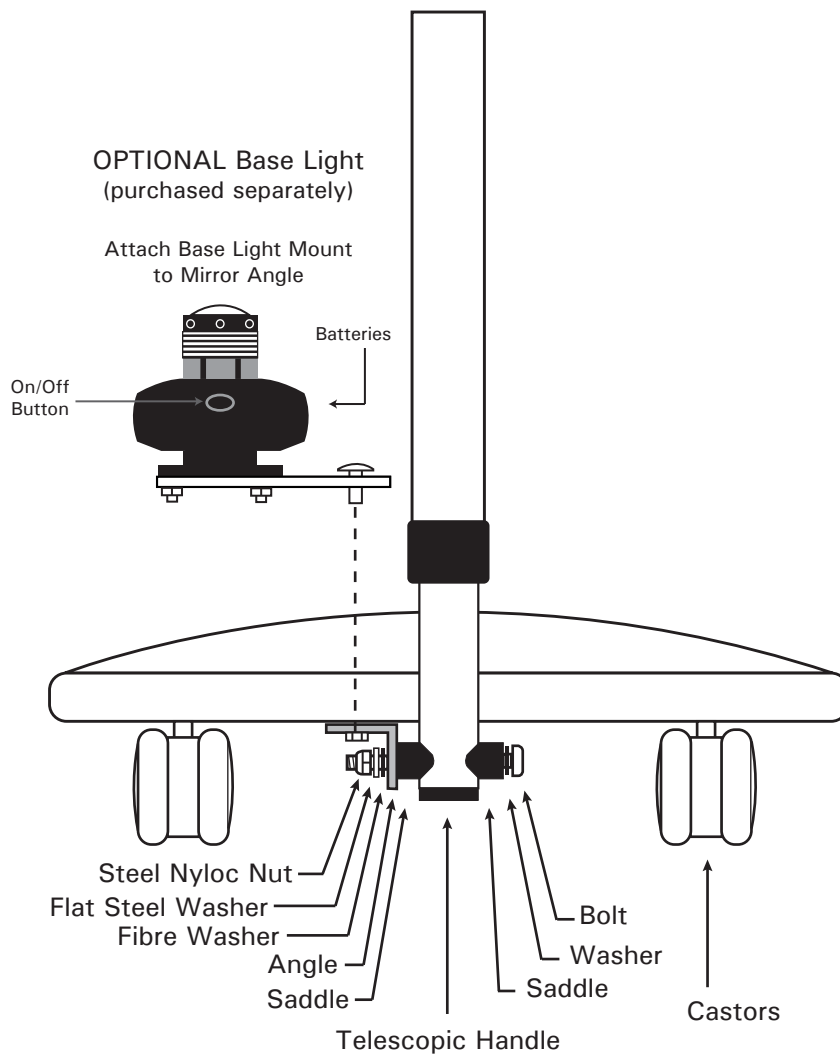


LOOK-UNDER MIRROR

INSTALLATION INSTRUCTIONS:

- If the mirror face is not already attached to the handle, assemble as per diagram shown below.
- Tension nyloc nut as necessary (do not over tighten as damage may occur to extension handle).



SOCIAL MEDIA

- Duravision
- Benmirr1
- duravision_convex_mirrors
- bennett-mirror-technologies



CONTACT US

PO Box 2163, Tauranga
New Zealand
T: +64 7 9285380
E: mirrors@bmt.nz
www.duravision.net



1 YEAR WARRANTY

Manufactured using the highest quality materials to provide a higher level of safety and longer lasting products