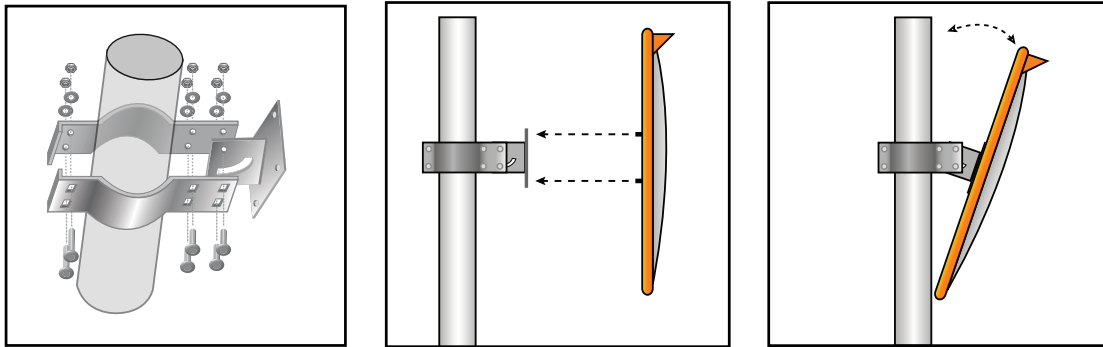


DELUXE TRAFFIC CLAMP BRACKET

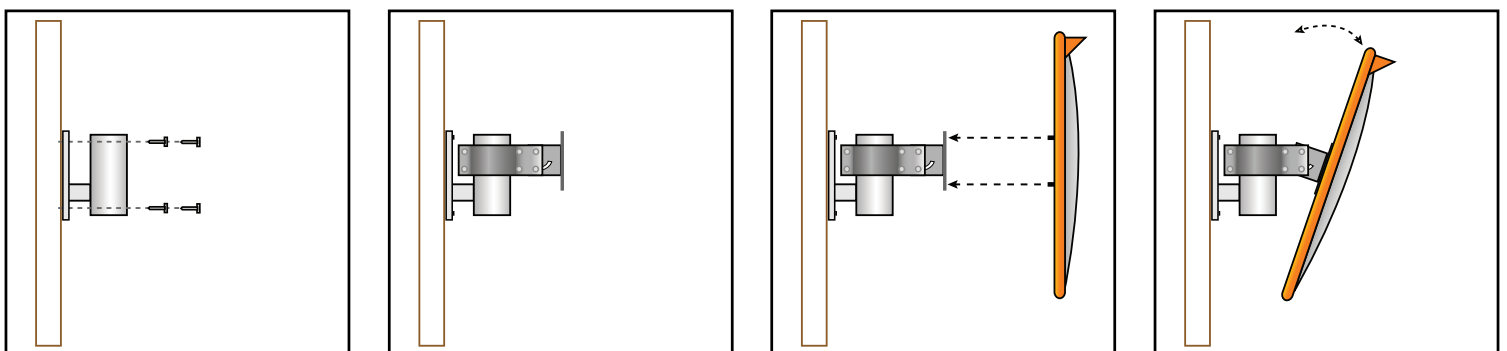
INSTALLATION INSTRUCTIONS:

- Decide the appropriate place to site the mirror on 75mm pole.
- Fix clamp and mirror mount assembly to the pole.
- Make sure adjustment slot is to the bottom
- Fix the mirror to the clamp bracket.
- Once the desired position has been found, tighten the bolts and nuts.
- Now installation is complete, remove the protective film from the mirror face (acrylic mirror only.)





75mm POLE INSTALLATION:



OPTIONAL WALL MOUNTING ADAPTOR:



SOCIAL MEDIA

-  Duravision
-  Benmirr1
-  duravision_convex_mirrors
-  bennett-mirror-technologies



CONTACT US

PO Box 2163, Tauranga
New Zealand
T: +64 7 9285380
E: mirrors@bmt.nz
www.duravision.net



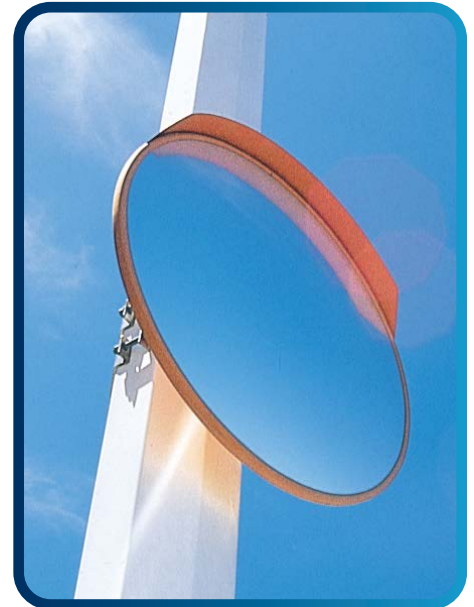
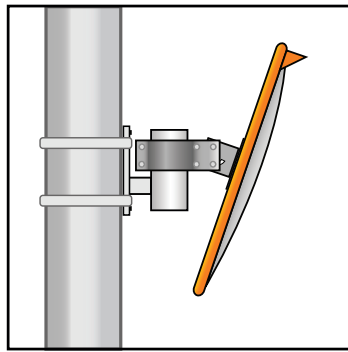
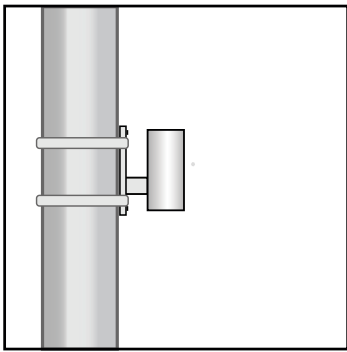
5 YEAR WARRANTY

Manufactured using the highest quality materials to provide a higher level of safety and longer lasting products




TRAFFIC MIRROR - WITH STRAPPING

STEEL STRAPPING FOR EXTRA LARGE POLE:

DuraVision™ DeLuxe Traffic Mirrors can be fixed to an extra large pole such as lamp posts, power poles and street lights using the optional Wall Mounting Adaptor and steel strapping. Place 2 - 3 straps around the pole and across the Wall Mounting Adaptor's mounting plate and tighten. Purchase steel strapping from hardware stores or road sign companies.



SOCIAL MEDIA

-  Duravision
-  Benmirr1
-  duravision_convex_mirrors
-  bennett-mirror-technologies



CONTACT US

PO Box 2163, Tauranga
New Zealand
T: +64 7 9285380
E: mirrors@bmt.nz
www.duravision.net



5 YEAR WARRANTY

Manufactured using the highest quality materials to provide a higher level of safety and longer lasting products